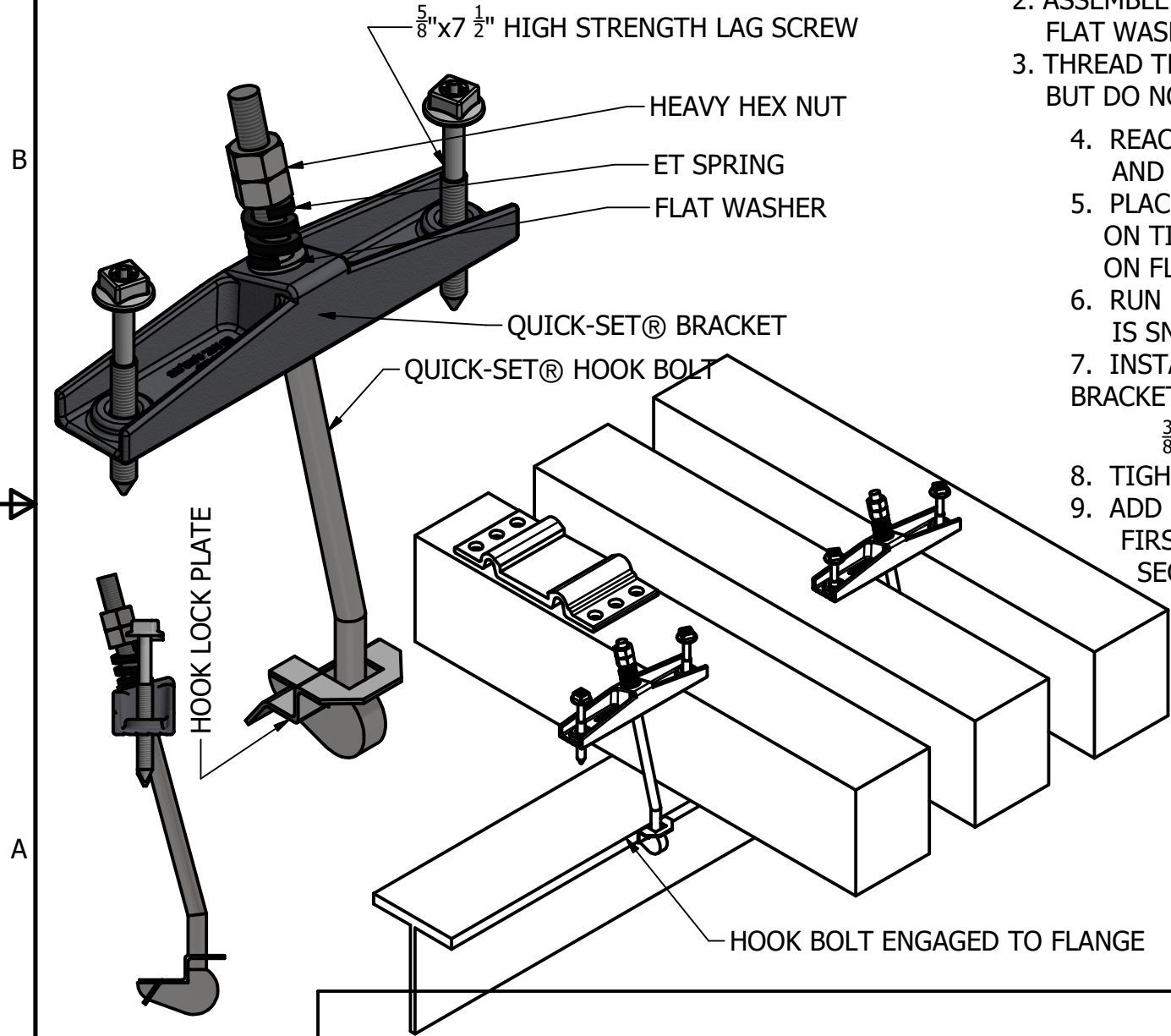


# QUICK-SET® SYSTEM INSTALLATION



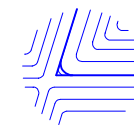
1. SLIDE HOOK BOLT THROUGH HOOK LOCK PLATE UNTIL SEATED ON HOOK AS SHOWN
2. ASSEMBLE THE BOLT ONTO THE BRACKET WITH A FLAT WASHER AND NUT.
3. THREAD THE NUT ONTO THE BOLT, BUT DO NOT TIGHTEN IT
4. REACH THE BOLT BETWEEN TIMBERS AND HOOK ONTO BEAM FLANGE BELOW
5. PLACE BRACKET SO THAT IT SITS FLAT ON TIMBER AND BOLT IS FULLY ENGAGED ON FLANGE
6. RUN NUT DOWN ON BOLT UNTIL ASSEMBLY IS SNUG
7. INSTALL LAG SCREWS IN HOLES IN BRACKET
8.  $\frac{3}{8}$ " PRE-DRILL IS RECOMENDED
8. TIGHTEN NUT SNUGLY (20-50 FT-LBS)
9. ADD SECOND NUT (RECOMMENDED)  
FIRST NUT SHOULD NOT BE A LOCK NUT  
SECOND NUT MAY BE A LOCK NUT

OPTIONAL ET SPRING: WHEN USED TIGHTEN BOLT TO COMPLETELY COMPRESS SPRING DO NOT OVERTIGHTEN

FOR BEAMS THAT HAVE AN SLOPED FLANGE QUICK-SET® HOOK BOLTS AND HOOK LOCK PLATES WITH AN ANGLE TO MATCH SHOULD BE USED

US PATENT 9,512,573

MAY 25, 2021



**LEWIS**  
BOLT & NUT COMPANY  
30105 SIXTH AVE  
LA JUNTA, CO 81050  
719-384-5400