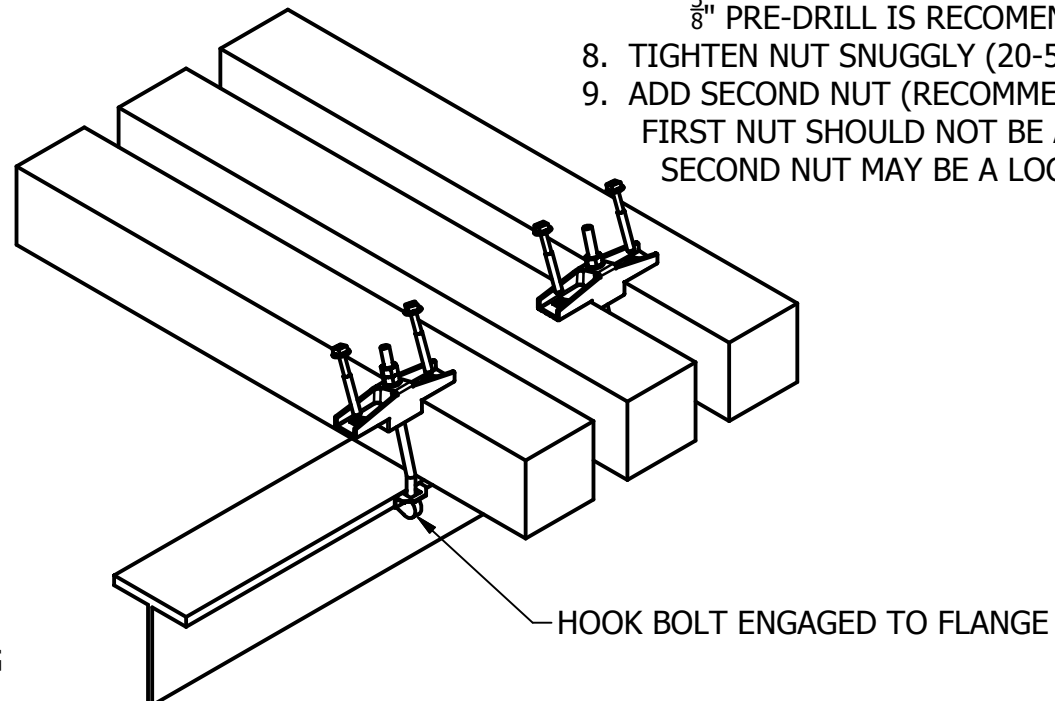
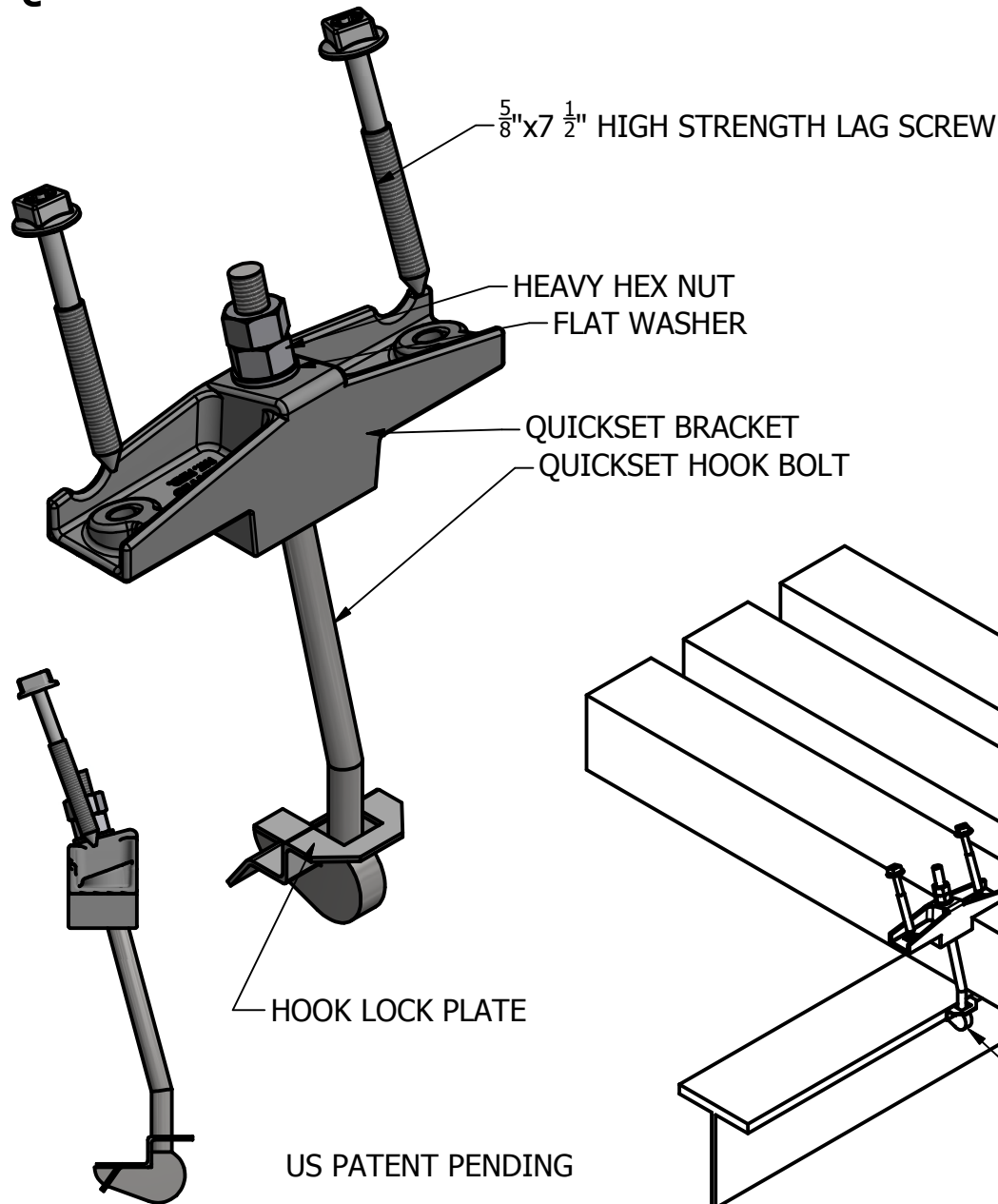


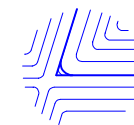
QUICKSET SYSTEM INSTALLATION

1. SLIDE HOOK BOLT THROUGH HOOK LOCK PLATE UNTIL SEATED ON HOOK AS SHOWN
2. ASSEMBLE THE BOLT ONTO THE BRACKET WITH A FLAT WASHER AND HEAVY HEX NUT.
3. THREAD THE NUT ONTO THE BOLT, BUT DO NOT TIGHTEN IT
4. REACH THE BOLT BETWEEN TIMBERS AND HOOK ONTO BEAM FLANGE BELOW
5. PLACE BRACKET SO THAT IT SITS FLAT ON TIMBER AND BOLT IS FULLY ENGAGED ON FLANGE
6. RUN NUT DOWN ON BOLT UNTIL ASSEMBLY IS SNUG
7. DRIVE LAG SCREWS IN HOLES IN BRACKET
 $\frac{3}{8}$ " PRE-DRILL IS RECOMMENDED
8. TIGHTEN NUT SNUGGLY (20-50 FT-LBS)
9. ADD SECOND NUT (RECOMMENDED)
FIRST NUT SHOULD NOT BE A LOCK NUT
SECOND NUT MAY BE A LOCK NUT



US PATENT PENDING

NOV 16, 2015



LEWIS
BOLT & NUT COMPANY
30105 SIXTH AVE
LA JUNTA, CO 81050
719-384-5400